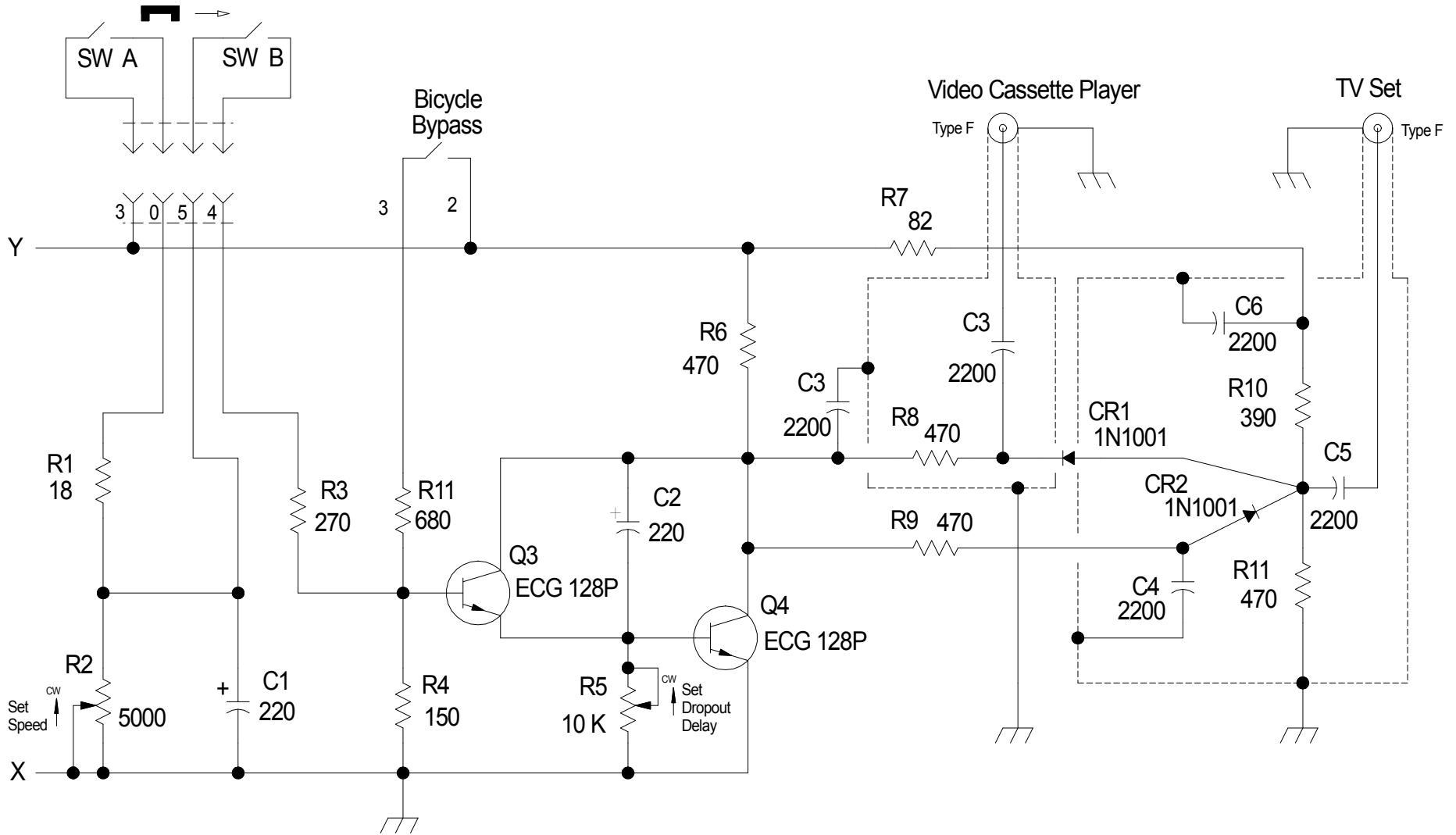
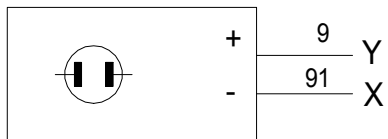


Magnetic Proximity Switches
 --single magnet, staggered pickoff locations



Plug-in Power Supply

9 vdc nominal,
 12 vdc max no load,
 300 ma



Drawing Number
 1101

TV Switch
 Schematic Diagram

Donald K. Grimm

04/13/2001